

PTO HEAVY DUTY Constant Mesh for ALLISON gearboxes

We are pleased to inform you that a new PTO Constant Mesh series for ALLISON HD gearbox, is now available.



Technical data

- Gearbox Allison
- Version 17
- Mounting side See page 2
- Output Rear
- Rotation Ccw
- Weight 16 Kg



Link:
[Data sheet](#)

* Cross reference table

Teeth in PTO Driver	Transmission series
68 T	3000-3200-3500-3700 Series side/side PTO provision
83 T	3000-3200-3500-3700 Series side/top PTO provision
97 T	4000-4400-4500-4700-4800 Series side/top PTO provision

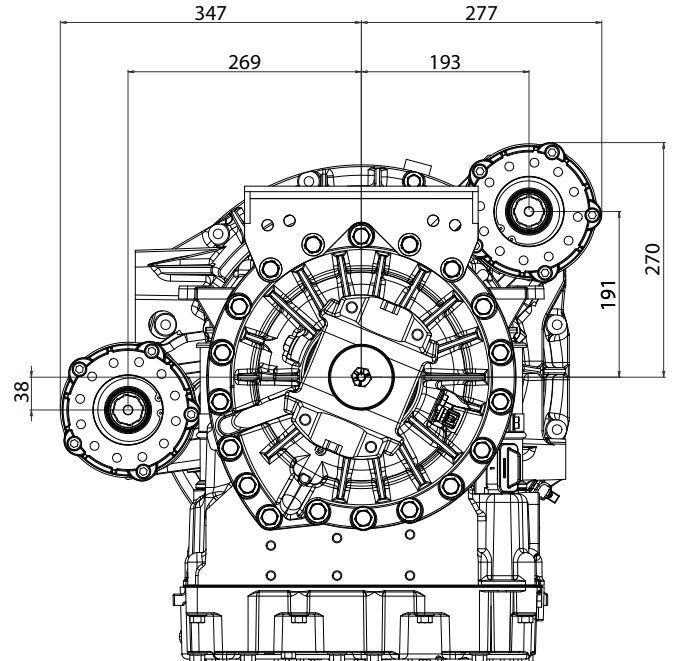
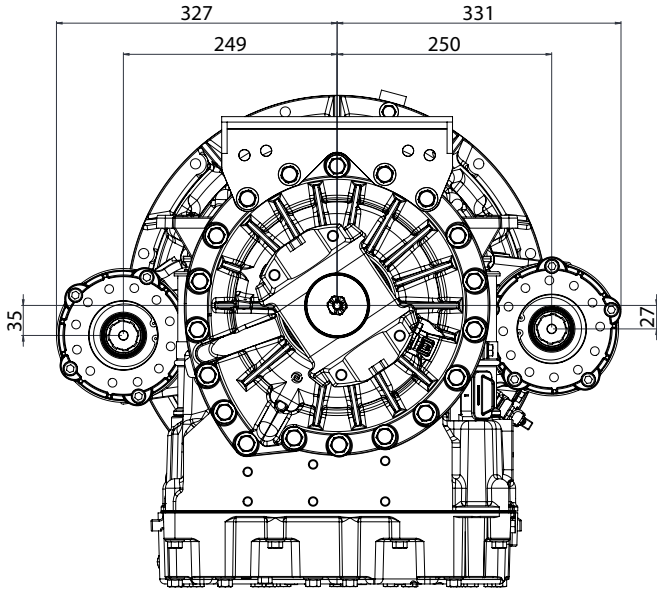
OMFB code	Max. torque (Nm)	Output speed (rpm) *		
		68 T **	83 T	97 T
05603108178	810	844	1030	1203
05603208177	800	936	1143	1335
05603508179	710	1206	1472	1721
05603608173	760	1037	1266	1479
05603908170	640	1402	1711	1999

** Ratio code description

Output position

• 68 T - 3000-3200-3500-3700 Side/side

• 83 T - 3000-3200-3500-3700 Side/top



• 97 T - 4000-4400-4500-4700-4800 Side/top

